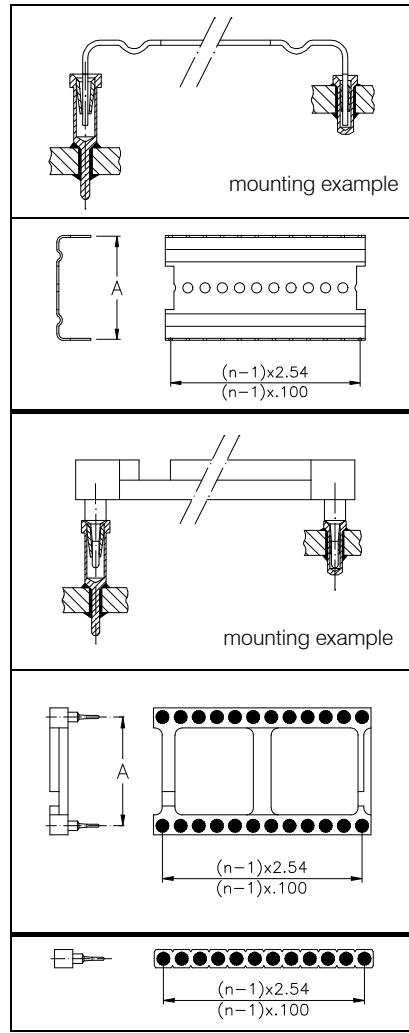
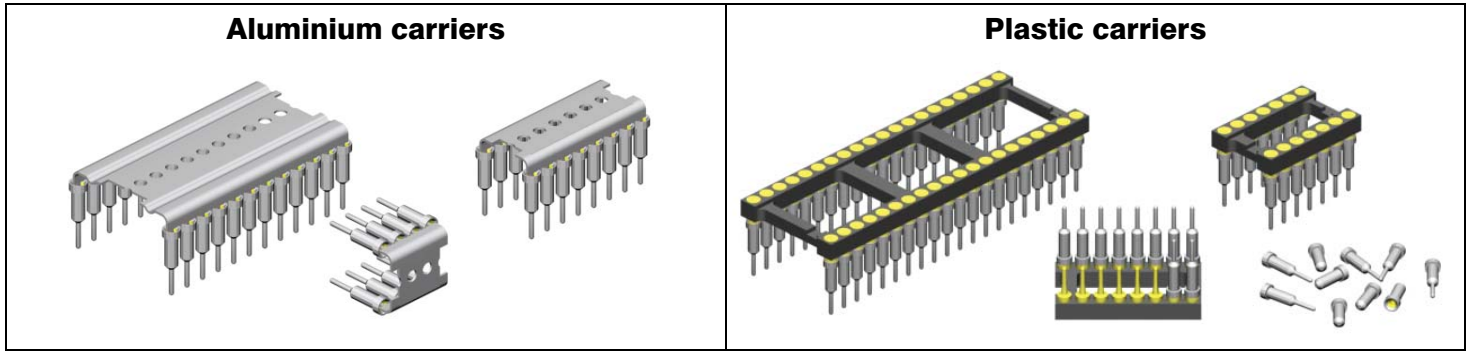


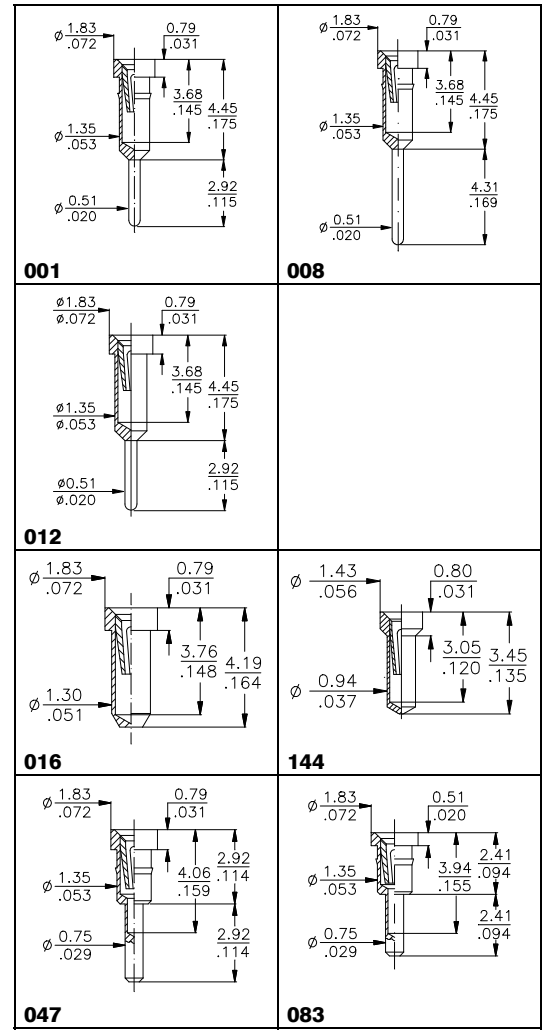
DCA/DCP/SCP - Series

Carrier Sockets & Strips

2,54mm pitch



PIN	DIM "A" mm/inch	Ordering Code	
6	7,62/.300	DCA-306-Sxxx-95	
8		DCA-308-Sxxx-95	
14		DCA-314-Sxxx-95	
16		DCA-316-Sxxx-95	
18		DCA-318-Sxxx-95	
20		DCA-320-Sxxx-95	
22	15,24/.600	DCA-322-Sxxx-95	
24		DCA-624-Sxxx-95	
28		DCA-628-Sxxx-95	
40		DCA-640-Sxxx-95	
6		7,62/.300	DCP-306-Sxxx-95
8			DCP-308-Sxxx-95
10	DCP-310-Sxxx-95		
14	DCP-314-Sxxx-95		
16	DCP-316-Sxxx-95		
18	DCP-318-Sxxx-95		
20	15,24/.600	DCP-320-Sxxx-95	
24		DCP-324-Sxxx-95	
28		DCP-328-Sxxx-95	
24		DCP-624-Sxxx-95	
28		DCP-628-Sxxx-95	
32		DCP-632-Sxxx-95	
36	15,24/.600	DCP-636-Sxxx-95	
40		DCP-640-Sxxx-95	
48	DCP-648-Sxxx-95		
2 to 32	single strip	SCP-1xx-Sxxx-95	
4 to 80	double strip	SCP-2xx-Sxxx-95	



Specifications
See page 49 of this catalogue

Terminals
For other terminal styles please refer to the pages 46 to 48 of this catalogue or contact your closest sales office.

Carrier Material
DCP & SCP series : PBT or high temp plastic UL 94 V-0 depending on pincount
DCA series : Aluminum

How to order

XXX - xxx - S xxx - 95

Series	
DCA	= DIL Alu Carrier
DCP	= DIL Plastic Carrier
SCP	= SIL Plastic Carrier

Pitch	
1	= only for SCP Series
2	= only for SCP Series
3	= .300" / 7,62mm
4	= .400" / 10,16mm
6	= .600" / 15,24mm
9	= .900" / 22,86mm

Nbr of contacts
see Ordering Code table above

Terminal style
see drawings above
or refer to pages 46 to 48 of this catalogue for other types.

Plating
- 95 = tin/gold
(tin leadfree)