

DM - Series DIMM Sockets

vertical type 100-pin 4bit

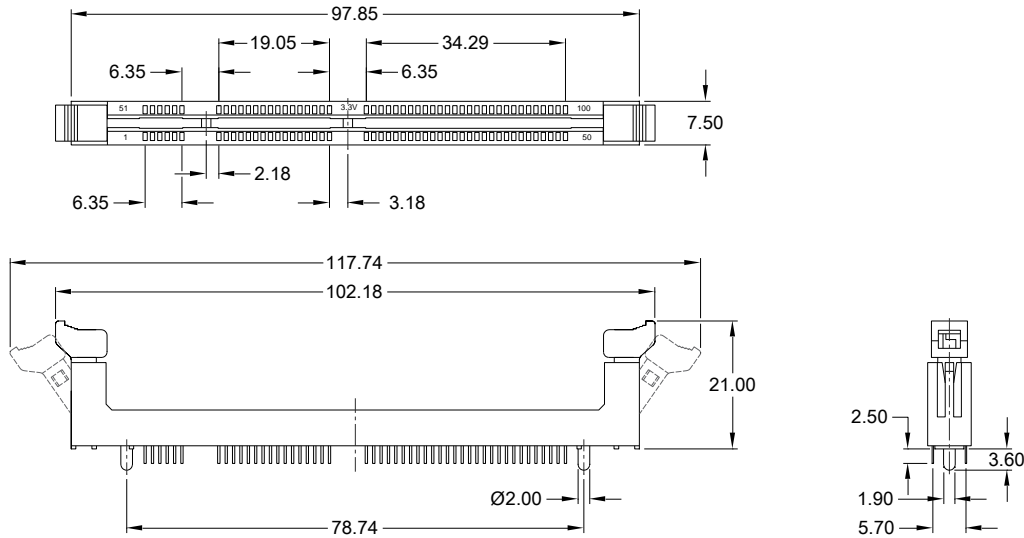
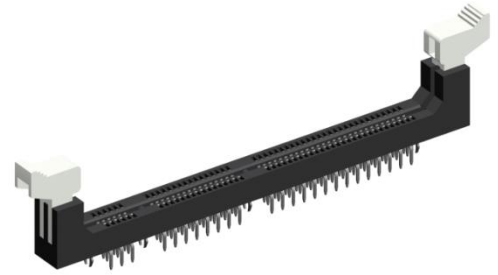


DIMM sockets are only available as long latch type
(Module locking extractors).

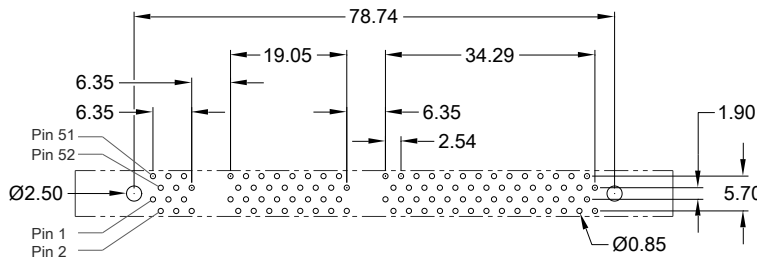
Insertion & extraction of the module can be made without any tools.

Positive polarization prevents wrong insertion of the module.

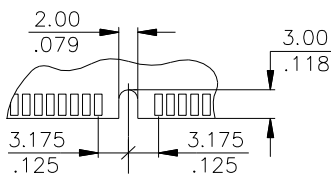
Contacts are designed with an anti-overstress feature for long contact life. Selective Gold/Tin plated. Gold only in contact area.



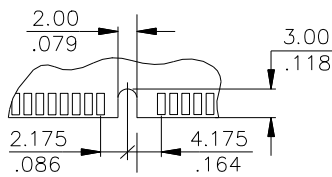
PC Board hole layout



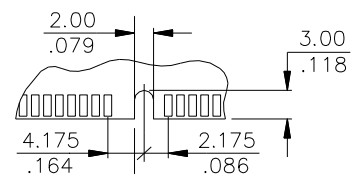
Module keying Type "A"



Module keying Type "B"



Module keying Type "C"



Specification

Current rating 1 A max., 250V AC
Contact resistance 30 mΩ max.
Withstanding voltage 500V AC / Minute
Insulation resistance 1000 MΩ min.

Operating temperature -25° C to +105° C
Insulator (RoHS compliant) PA UL 94 V-0
Contact (RoHS compliant) Copper Alloy
Plating Au / Sn (leadfree) over Ni

Pin	Socket Type	Key No. 1	Key No. 2	Ordering Code
100 pin	DRAM 5 Volt	Type "A"	Type "B"	Please contact E-tec sales office for availability.
100 pin	SDRAM 5 Volt	Type "B"	Type "B"	Please contact E-tec sales office for availability.
100 pin	UDRAM 5 Volt	Type "C"	Type "B"	Please contact E-tec sales office for availability.
100 pin	DRAM 3,3 Volt	Type "A"	Type "A"	Please contact E-tec sales office for availability.
100 pin	SDRAM 3,3 Volt	Type "B"	Type "A"	Please contact E-tec sales office for availability.
100 pin	UDRAM 3,3 Volt	Type "C"	Type "A"	DM1 - 100 - VCA9/A - 95/1L