

REV.	DESCRIPTION	DATE	DRAWN
A	New	17.08.2011	Ronny
B	correct Order Code MSF -> MSD	22.03.2012	Ronny
C	general update	25.07.2019	Ronny

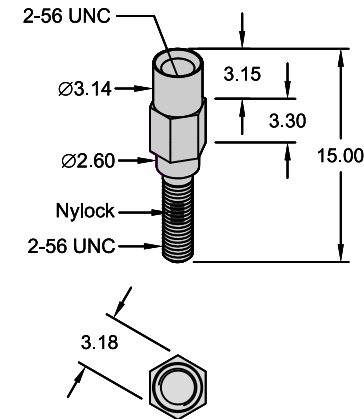
Order Code MSD-0909-0-97-MNX

Option

no suffix = w/o Jack Screw (Standard)

J = with Jack Screw

Optional Jack Screw



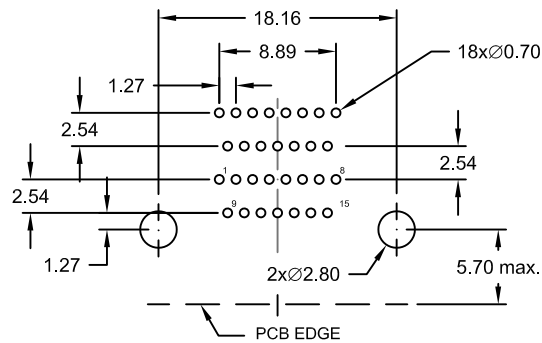
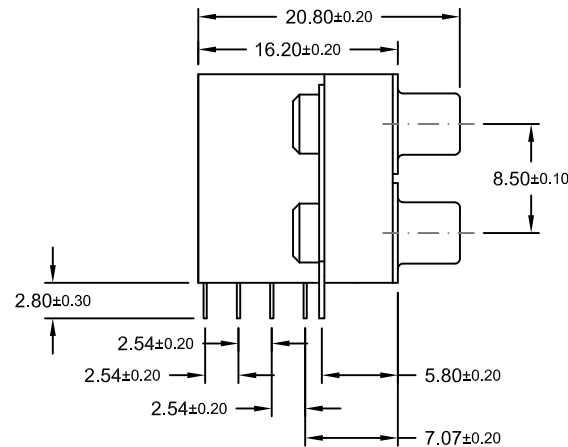
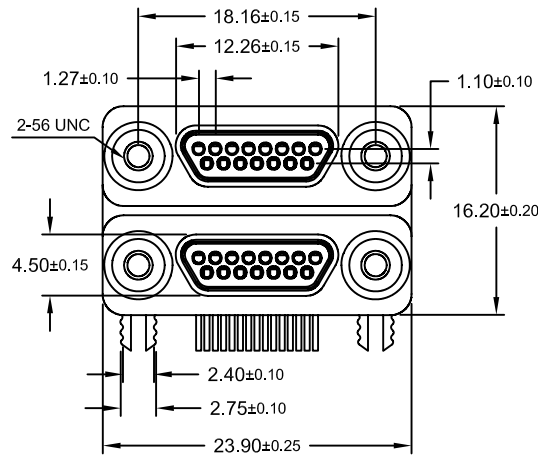
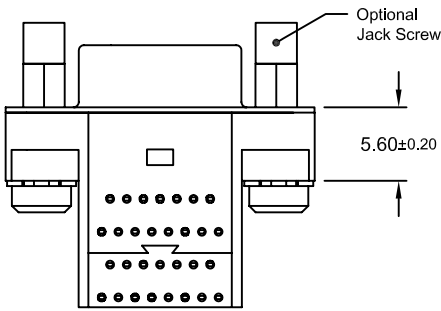
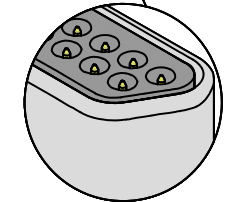
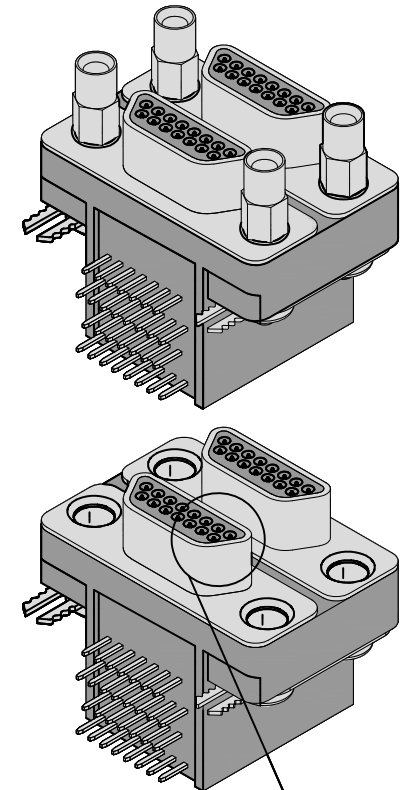
Specifications

Electrical

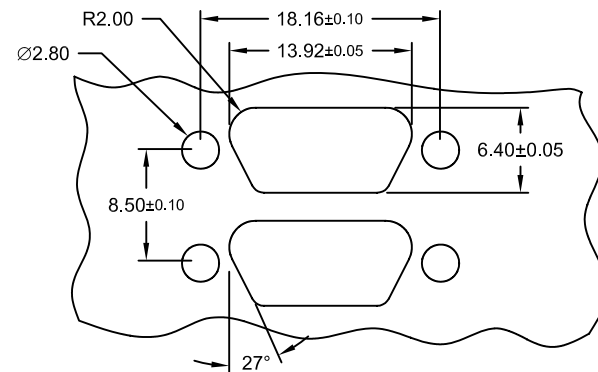
Current rating: 1A
 Insulation resistance: 1000MΩ min.
 Dielectric withstanding: 500V AC
 Contact resistance: 45mΩ max.
 Operating temperature: -55°C to +85°C

Materials

Contact: Copper Alloy
 Plating: Contact area: Au 15μ" over Ni
 Solder area: Sn over Ni
 Insulator: PBT UL 94V-0
 Shell: Cold roller Steel
 Plating: Bright Sn over Cu



Recommended PCB Layout
(Tolerance ±0.05)



Recommended Panel cutout
(Tolerance ±0.05)

E-tec 2019 © - all rights reserved www.e-tec.asia



UNIT	mm	GENERAL TOLERANCE		DRAWN	DATE	DWG. NO.	SHEET 1/1
SCALE	Free	X° ±	X. ±	Ronny	17.08.2011	MSD-1515-0	REV. C
		.XX° ±	.XX ± 0.15	Ronny	25.07.2019	SERIES NO.	
		.XXX° ±	.XXX ±	Fagi	25.07.2019	MSD-xxxx-0-97-MNX	

Micro D-Sub Connector
THT right angle Dual Port
2 x 15 - contact male