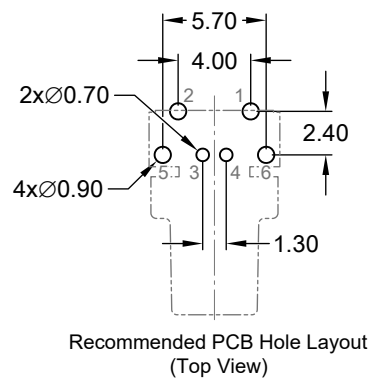
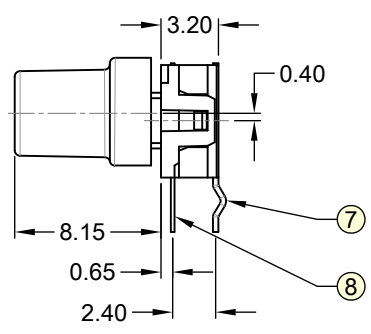
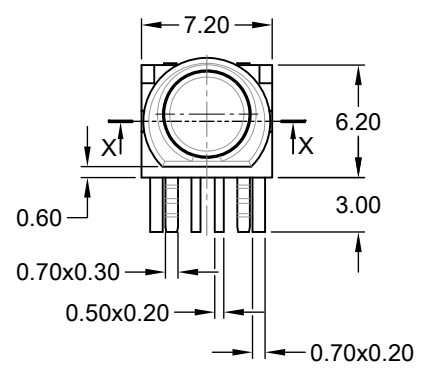
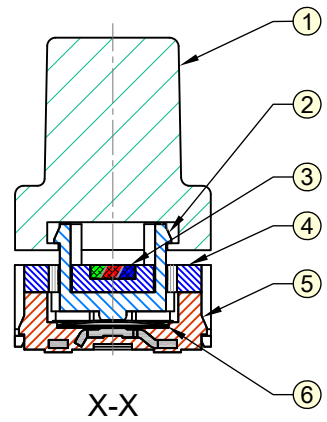
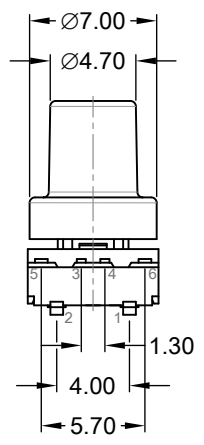
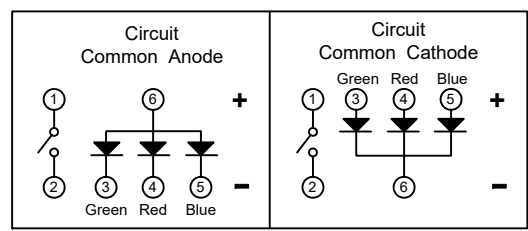


REV.	DESCRIPTION	DATE	DRAWN
A	New	29.11.2018	Ronny
B	correct PCB hole Layout	10.01.2019	Ronny
C	General update, remove tube packing option	12.05.2022	Cherry



For more technical information, see Product Specification **ETEC/A-SW-011**



### Order Code

## TLS-76-R/81Xxx/XXXSX/6SZ

- Cap Color
- Black = **B**
  - Silver = **S**
  - Transparent = **T**
- Packing
- C** = Reel
  - M** = Tray (Blister)
- LED Circuit Option
- FA** = Full (RGB) Common Anode
  - FC** = Full (RGB) Common Cathode
- Operating force
- N** = 160g
  - R** = 260g

Cap Mark Option

	0	1	2	3	4	5	6	7	8	9
0	NO Mark	⏻	⏪	⏩	⏹	⏺	⏸	⏷	⏶	⏵
1	⏵	⏶	⏷	⏸	⏹	⏺	⏻	⏼	⏽	⏾
2	START	RESET	Reset	CMOS	CMOS	Turbo				
3	↑	←	→	↓	+	-	▲	●		



Item	Desc.	Material / Finish (color)
1	Cap	PC / black
2	Stem	PA / black
3	LED	RGB
4	Cover	PA / black
5	Base	PA / black
6	Contact	Steel / Silver over Nickel
7	Terminal	Brass / Silver over Nickel
8	LED Terminal	Phosphor Bronze / Silver over Nickel

E-tec 2022 © - all rights reserved www.e-tec.asia



UNIT	mm	GENERAL TOLERANCE		DRAWN	DATE	DWG. NO.	SHEET 1/1
SCALE	Free	X.° ±	X. ±	Ronny	29.11.2018	TLS-76-R/81/S/6SZ	REV. C
		.X° ±	.X ±	Cheng	13.05.2022	SERIES NO.	
		.XX° ±	.XX ± 0.20	Fagi	13.05.2022	TLS-76-R/81Xxx/XXXSX/6SZ	
		.XXX° ±	.XXX ±				

**LED Illuminated Tactile Switch**  
-THT- Right Angle  
With Cap