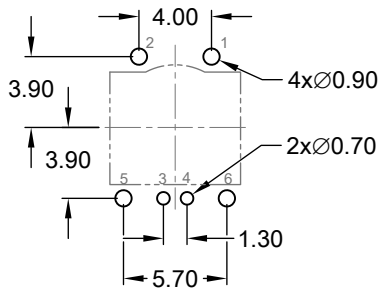
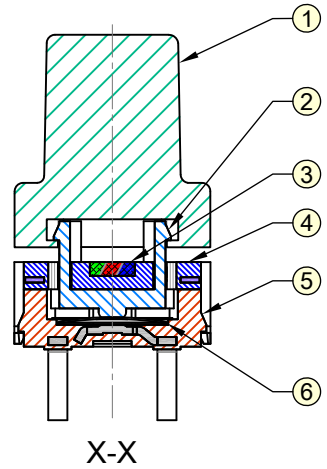
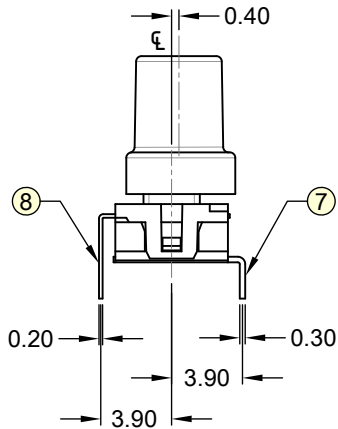
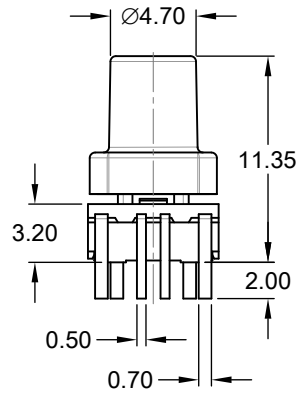
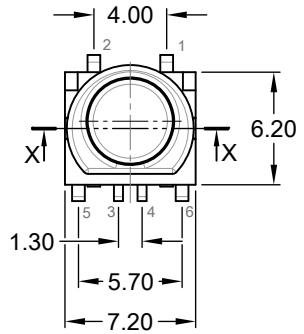
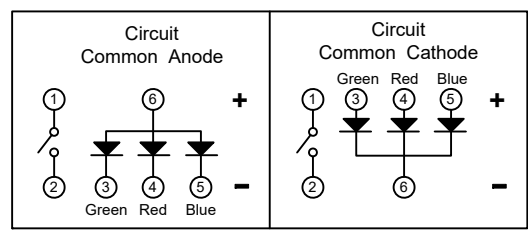


REV.	DESCRIPTION	DATE	DRAWN
A	New	29.11.2018	Ronny
B	General update	10.01.2019	Ronny
C	General update, remove tube packing	12.05.2022	Cherry



Recommended PCB Hole Layout (Top View)

For more technical information, see Product Specification **ETEC/A-SW-011**



Order Code

TLS-76-S/81Xxx/XXXSX/6SZ

Cap Color
 Black = **B**
 Silver = **S**
 Transparent = **T**

Packing
C = Reel
M = Tray (Blister)

LED Circuit Option

FA = Full (RGB) Common Anode
FC = Full (RGB) Common Cathode

Operating force

N = 160g
R = 260g

Cap Mark Option

	0	1	2	3	4	5	6	7	8	9
0	NO Mark	⏻	⏪	⏩	⏴	⏵	⏶	⏷	⏸	⏹
1	⏻	⏪	⏩	⏴	⏵	⏶	⏷	⏸	⏹	⏺
2	START	RESET	Reset	clr CMOS	clr CMOS	Turbo				
3	⏶	⏵	⏴	⏷	+	-	▲	●		



Item	Desc.	Material / Finish (color)
1	Cap	PC / black
2	Stem	PA / black
3	LED	RGB
4	Cover	PA / black
5	Base	PA / black
6	Contact	Steel / Silver over Nickel
7	Terminal	Brass / Silver over Nickel
8	LED Terminal	Phosphor Bronze / Silver over Nickel

E-tec 2022 © - all rights reserved www.e-tec.asia



UNIT	mm	GENERAL TOLERANCE	X.° ± X. ± .X° ± .X ± .XX° ± .XX ± 0.20 .XXX° ± .XXX ±	DRAWN	Ronny	DATE	29.11.2018	DWG. NO.	TLS-76-S/81/S/6SZ	SHEET 1/1
SCALE	Free	CHECK	Cheng	DATE	16.05.2022	SERIES NO.	TLS-76-S/81Xxx/XXXSX/6SZ	REV.	C	
APPROVE	Fagi	DATE	16.05.2022							

LED Illuminated Tactile Switch
 -THT- Straight
 With Cap